

# Mobile Escape Chute - AT-M1

Axel Thoms Germany

## Axel Thoms

Lebensrettungseinrichtungen GmbH





# Mobile Escape Chute - AT-M1

Axel Thoms Germany

## Axel Thoms

Lebensrettungseinrichtungen GmbH





## Mobile Escape Chute - AT-M1 - Axel Thoms Germany

### Description:

The Mobile Escape Chute is foreseen to accelerate the evacuation process during use of aerial ladders or platforms and allow people to evacuate in a safe and speedy manner.

The Mobile Escape Chute may be used in varying heights. The outer flame retardant layer is equipped with zippers to allow fast and easy operation.

Every person (adult, children, elderly, handicapped or unconscious) can be evacuated through the Mobile Escape Chute.

The Mobile Escape Chute AT-M1 is in use for fire brigades in Azerbaijan, China, Germany, India, Italy, Iran, Syria, Saudi Arabia, UAE and other countries.

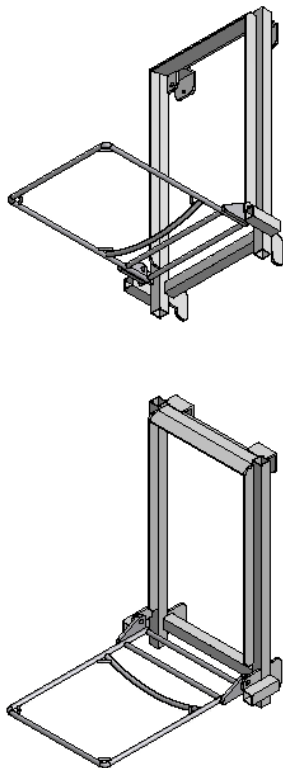
The average weight per m is 1.4 KG. The frame weight is approx. 20KG. Therefore, the average weight of a 30m Mobile Escape chute is less than 65KG.

**Every escape chute and frame is custom made in Germany.**

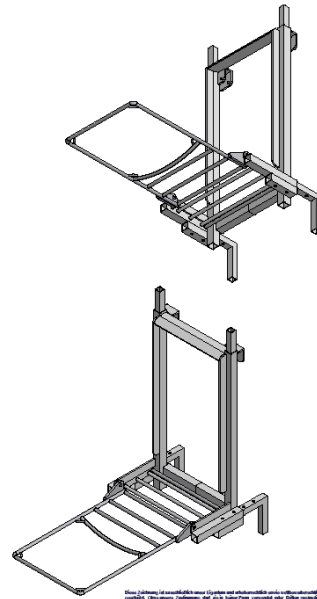
### Please see samples as follows for basket attachment:

Further designs are available and may be designed as per client's requirements.

Standard frame (page 1):

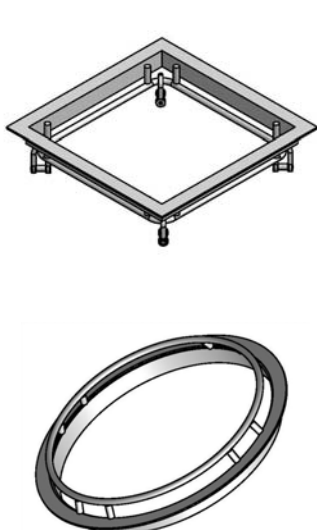


DUAL USE Frame (optional):



**The DUAL USE Frame** is foreseen in use as mobile evacuation equipment. It can be operated on an aerial same as from inside houses (used for windows) in case an aerial ladder or platform cannot be used (e.g. narrow street, insufficient space).

Further models:



**MADE IN GERMANY - ISO 9001**

